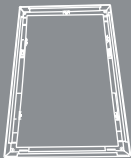


# YOU SHOULD HAVE

## PERFECT FIT UNIVERSAL ITEM LIST

Perfect Fit  
Universal Frame



Corner Caps



## TOOLS REQUIRED

Screws



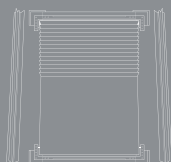
Screwdriver



Drill



Perfect Fit Blind

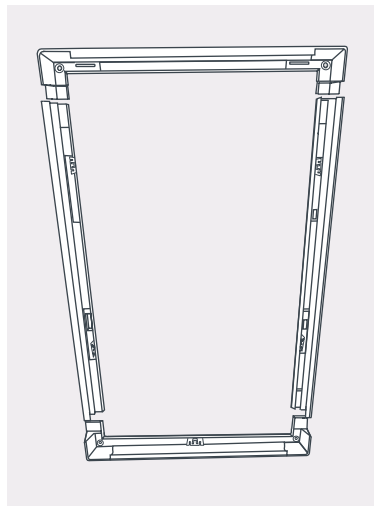


# STEP 1

## PUT THE FRAME TOGETHER

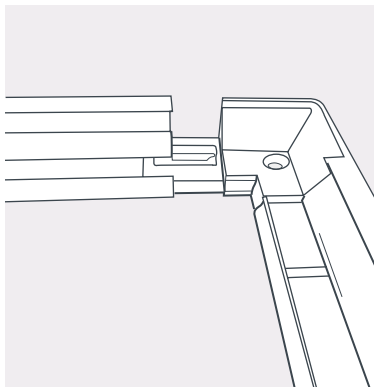
### 1.1

Lay all parts of the frame out face down on a clean even surface. Corner joints will be attached to the top and bottom frame.



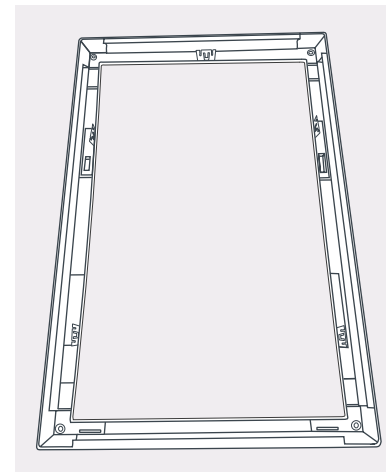
### 1.2

Connect the left-hand side of the frame to the exposed arm on the bottom left-hand corner joint until secure. Repeat the process on the top left-hand corner joint. Follow the same procedure for the right-hand side of the frame.



### 1.3

Your Perfect Fit Universal frame is now ready to be fitted.



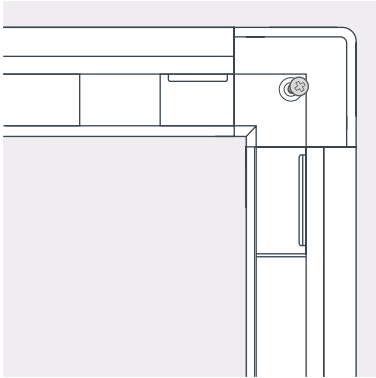
The installation of this product should be conducted by someone competent in DIY.

## FITTING OPTIONS

---

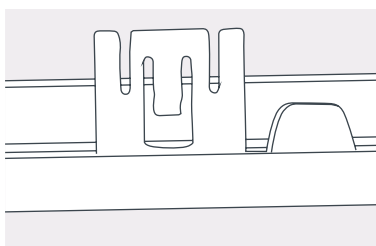
### FACE FIX

Screw the corner joints to the surface through the pre-drilled holes using suitable screws



Depending on drop, you may need to drill additional holes on the frame to secure your frame to the wall. Recommended on frames over 750mm drop. If adding additional holes ensure the bracket locators are positioned away from the screws before adding the fixing screws.

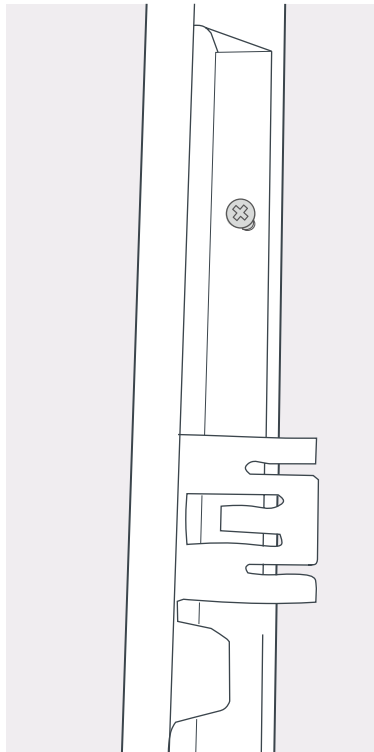
If you need to adjust the bracket, slide the bracket locator so the bracket lines up with the punch hole on the frame of your perfect fit blind.



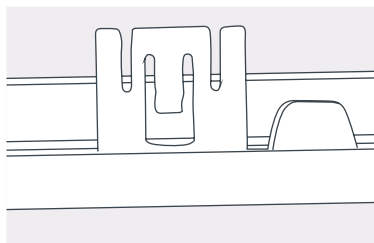
Please note if not lining up, brackets can be removed by sliding them out of the bracket locaters and into the other side of the bracket locater.

### SIDE FIX

Drill 2 holes into either side of the frame, secure to the wall with suitable screws. (depending on drop, 3 drill holes may be required, recommended on frames over 750mm drop.)



Please note if not lining up, brackets can be removed by sliding them out of the bracket locaters and into the other side of the bracket locater.



If you need to adjust the bracket, slide the bracket locator so the bracket lines up with the punch hole on the frame of your perfect fit blind.

### FITTING THE BLIND

Line up the Perfect fit blind with the brackets on the universal frame, press the blind into the universal frame and clip the blind into place.

### MAINTENANCE

The product is maintenance free however we recommend that regular visual checks are completed to ensure that no components have been damaged, which could result in operating difficulties and/or cause a safety risk.

If any maintenance is required we recommend that the work is carried out immediately, by a reputable blind company.